

GP Batteries

Data Sheet

Rechargeable Nickel Metal Hydride Battery

Model: GP380AFH

Revision History

Revision	Date	Initiator	Change Description
00	2011-03-16	Jackie Yu	To replace ZRS5088, add rated capacity.
01	2011-03-25	Jackie Yu	Change 1C capacity to 3800mAh
02	2014-05-28	YS Liu	New form
03	2015-03-23	YS Liu	Rated capacity

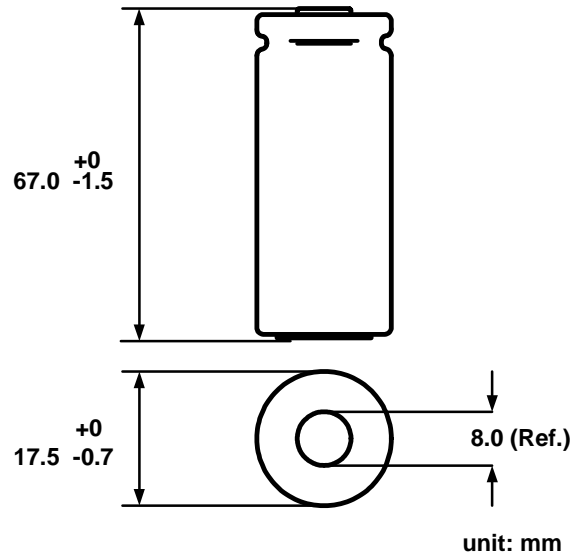
Prepared by	Checked by	Approver
RD Engineer	RD Manager	SM
YS Liu	JP Zou	Vivian Fong
Date: 2015-03-23	Date: 2015-03-23	Date: 2015-03-23

GP International Limited

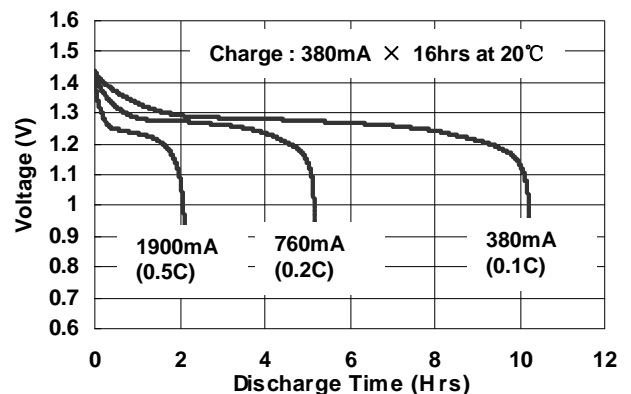
Gold Peak Building, 8/F, 30 Kwai Wing Road,
Kwai Chung, New Territories, Hong Kong.
Tel: (852) 2484 3333 Fax: (852) 24805912
Email: gpii@goldpeak.com
Website: <http://www.gpbatteries.com>

Type	: Rechargeable Nickel Metal Hydride Cylindrical Cell
Nominal Dimension (with Sleeve)	: $\Phi = 17.5\text{mm}$ H = 67.0mm
Applications	: Recommended discharge current: 380mA to 11400mA
Nominal Voltage	: 1.2V
Capacity	: Rated: 3700mAh Typical: 3800mAh When discharged at 760mA to 1.0V at 20°C
Charging Condition	: 380mA for 16hrs at 20°C
Fast Charge	: 1900mA to 3800mA(0.5 to 1C) charge termination control recommended control parameters: - ΔV : 0-5mV DT/dt : 0.8°C/min(0.5 to 0.9C) 0.8 - 1°C/min(1C) TCO : 45-50°C Timer : 105% nominal input (for ref. only)
Service Life	: >500 cycles (IEC standard)
Continuous Overcharge	: 380mA maximum current for 1 year No conspicuous deformation and/or no leakage
Weight	: 53.5g
Internal Resistance	: Average 18 m Ω upon fully charged (Max.30 m Ω) at 1000Hz
Max. Charging Voltage	: 1.5V at 380mA charging
Ambient Temperature Range	: Standard Charging : 0 to 45°C Fast Charging : 10 to 45°C Discharging : -20 to 50°C Storage : -20 to 35°C Storage(1week) : -20 to 60°C

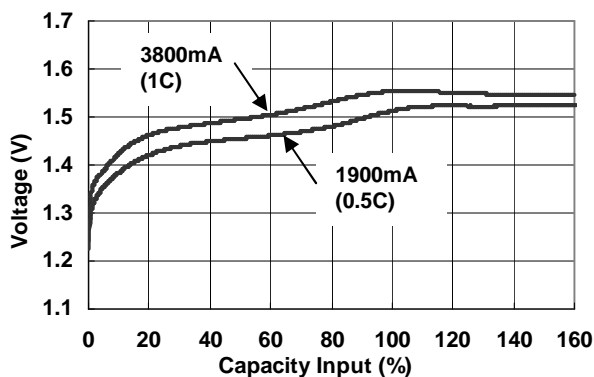
Model No.: GP380AFH



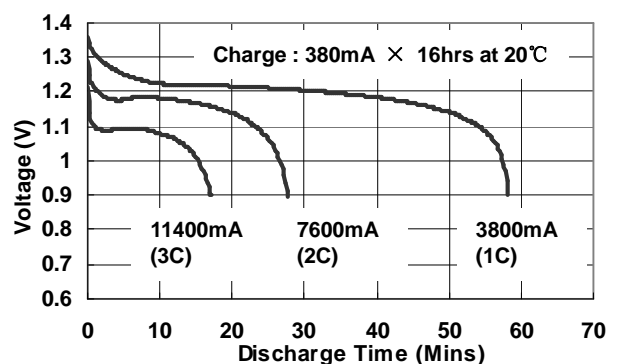
Low Rate Discharge



Fast Charge (Charge Control Required)



High Rate Discharge



The information (subject to change without prior notice) contained in this document is for reference only and should not be used as a basis for product guarantee or warranty. For applications other than those described here, please consult your nearest GP Sales and Marketing Office or Distributors.